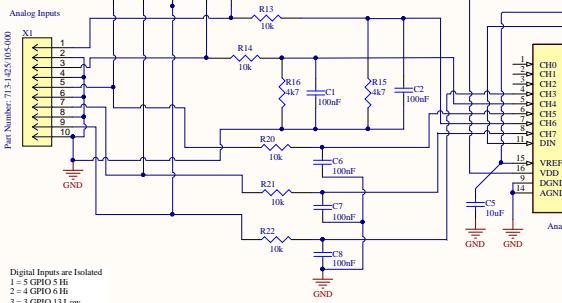
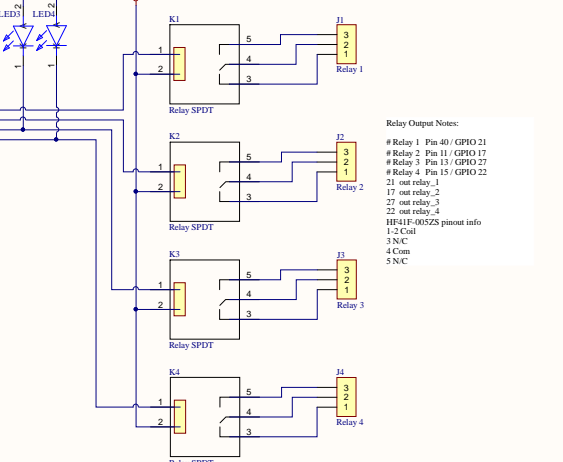
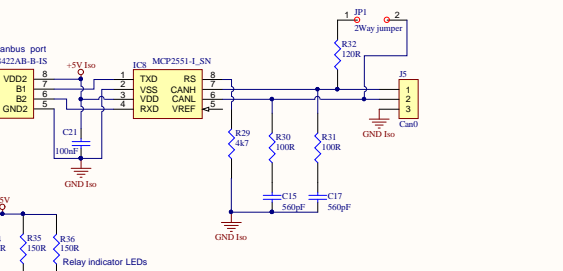
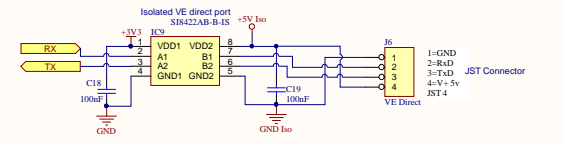
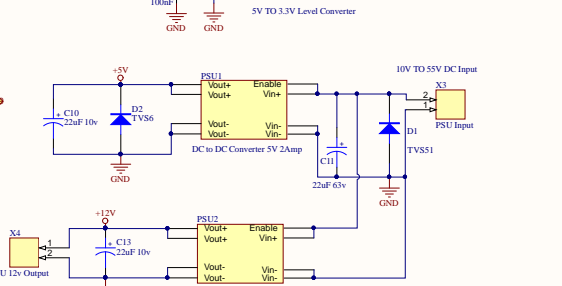
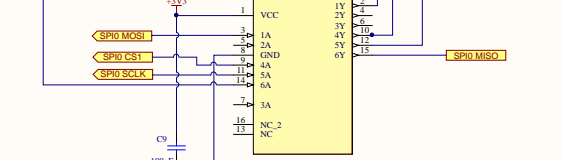
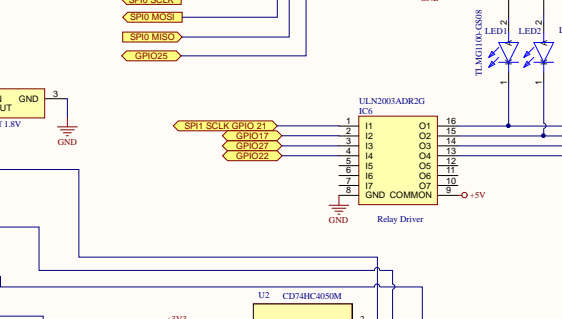
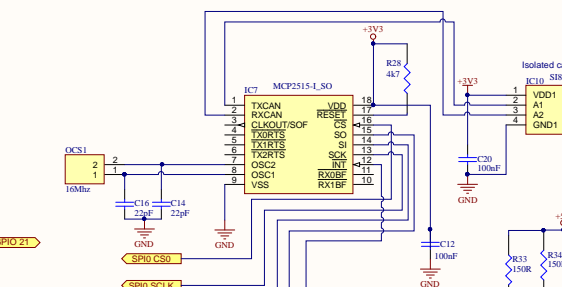
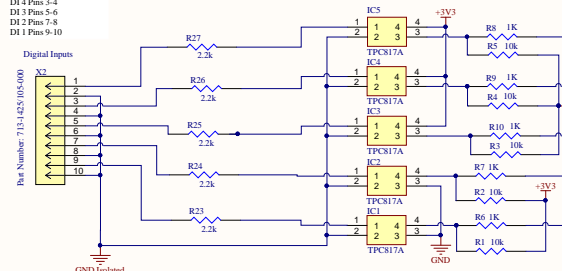
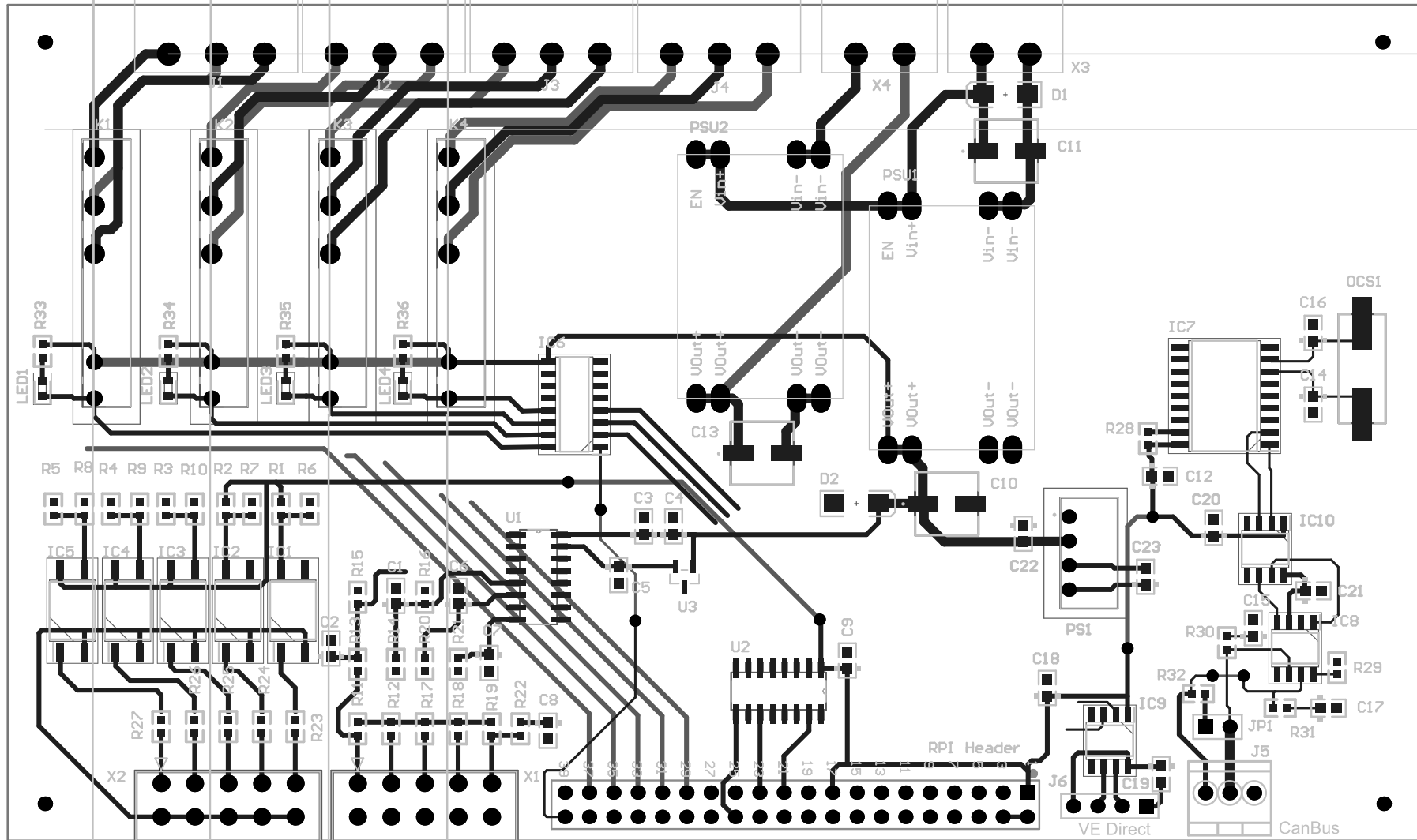


Temp sensor LM35
Positive to pin 1. Negative to pin2. Adj pin not used.
X1 Pin Outs
Temp1 Pin 1-2
Temp2 Pin 3-4
Temp3 Pin 5-6
Temp4 Pin 7-8
Temp5 Pin 9-10



Digital Inputs are Isolated
1 = 5 GPIO 54E
2 = 4 GPIO 6HE
3 = 3 GPIO 13 Low
4 = 2 GPIO 19 Low
5 = 1 GPIO 26 Low
X2 Pin Outs
DI 5 Pin 1-2
DI 4 Pin 3-4
DI 3 Pin 5-6
DI 2 Pin 7-8
DI 1 Pin 9-10





BOARD STACK REPORT