

8/10/13 kVA

GUARDIAN® SERIES Residential Standby Generators Air-Cooled Gas Engine

INCLUDES:

- True Power™ Electrical Technology
- Two Line LCD Multilingual Digital Evolution™ Controller
- Standard Wi-Fi® Remote Monitoring
- Electronic Governor
- System Status & Maintenance Interval LED Indicators
- Sound Attenuated Enclosure
- Flexible Fuel Line Connector
- Direct-To-Dirt Composite Mounting Pad
- Natural Gas or LP Gas Operation
- 3 Year Limited Warranty
- Listed and Labeled by the Southwest Research Institute allowing installation as close as 18" (457 mm) to a structure.*

*Must be located away from doors, windows, and fresh air intakes and in accordance with local codes.

https://assets.swri.org/library/DirectoryOfListedProducts/ConstructionIndustry973_DoC_204_13204-01-01_Rev9.pdf

Standby Power Rating
 BP8S-G (Aluminum - Bisque) - 8 kVA 50 Hz Model
 BP10S-G (Aluminum - Bisque) - 10 kVA 50 Hz Model
 BP13S-G (Aluminum - Bisque) - 13 kVA 50 Hz Model



FEATURES

- **INNOVATIVE ENGINE DESIGN & RIGOROUS TESTING** are at the heart of Generac's success in providing the most reliable generators possible. Generac's G-Force engine lineup offers added peace of mind and reliability for when you need it the most. The G-Force series engines are purpose built and designed to handle the rigors of extended run times in high temperatures and extreme operating conditions.
- **MOBILE LINK™ REMOTE MONITORING:** FREE with every Guardian Series Home standby generator. Allows you to monitor the status of your generator from anywhere in the world using a smartphone, tablet, or PC. Easily access information such as the current operating status and maintenance alerts. Connect your account to your authorized service dealer for fast, friendly and proactive service. With Mobile Link, you are taken care of before the next power outage.
- **TEST CRITERIA:**
 - ✓ **PROTOTYPE TESTED**
 - ✓ **SYSTEM TORSIONAL TESTED**
 - ✓ **NEMA MG1-22 EVALUATION**
 - ✓ **MOTOR STARTING ABILITY**
- **SOLID-STATE, FREQUENCY COMPENSATED VOLTAGE REGULATION:** This state-of-the-art power maximizing regulation system is standard on all Generac models. It provides optimized FAST RESPONSE to changing load conditions and MAXIMUM MOTOR STARTING CAPABILITY by electronically torque-matching the surge loads to the engine. Digital voltage regulation at ±1%.
- **TRUE POWER™ ELECTRICAL TECHNOLOGY:** Superior harmonics and sine wave form produce less than 5% Total Harmonic Distortion for utility quality power. This allows confident operation of sensitive electronic equipment and micro-chip based appliances, such as variable speed HVAC systems.



* Assembled in the USA using domestic and foreign parts.

8/10/13 kVA

Engine

- Generac G- Force design
Maximizes engine "breathing" for increased fuel efficiency. Plateau honed cylinder walls and plasma moly rings helps the engine run cooler, reducing oil consumption resulting in longer engine life.
- "Spiny-lok" cast iron cylinder walls
Rigid construction and added durability provide long engine life.
- Electronic ignition/spark advance
These features combine to assure smooth, quick starting every time.
- Full pressure lubrication system
Pressurized lubrication to all vital bearings means better performance, less maintenance and longer engine life. Now featuring up to a 2 year/200 hour oil change interval.
- Low oil pressure shutdown system
Shutdown protection prevents catastrophic engine damage due to low oil.
- High temperature shutdown
Prevents damage due to overheating.

Generator

- Revolving field
Allows for a smaller, light weight unit that operates 25% more efficiently than a revolving armature generator.
- Skewed stator
Produces a smooth output waveform for compatibility with electronic equipment.
- Displaced phase excitation
Maximizes motor starting capability.
- Automatic voltage regulation
Regulates the output voltage to $\pm 1\%$, preventing damaging voltage spikes.
- True Power Technology
Less than 5% total harmonic distortion (THD).

Evolution™ Controls

- Auto/Manual/Off illuminated buttons
Selects the operating mode and provides easy, at-a-glance status indication in any condition.
- Sealed, raised buttons
Smooth, weather-resistant user interface for programming and operations.
- Utility voltage sensing
Constantly monitors utility voltage; defaults 156 V dropout, 190 V pick up.
- Utility interrupt delay
Prevents nuisance start-ups of the engine; adjustable 2-1500 seconds from factory default setting of 5 seconds by a qualified dealer.
- Voltage selection options
Output voltage is selectable through the controller from 220 V, 230 V, or 240 V.
- Engine warm-up
Ensures engine is ready to assume the load, setpoint approximately 5 seconds.
- Engine cool-down
Allows engine to cool prior to shutdown, setpoint approximately 1 minute.
- Programmable seven day exercise
Operates engine to prevent oil seal drying and damage between power outages by running the generator for 5 minutes every other week. Also offers a selectable setting for Weekly, Bi-Weekly, or Monthly operation providing flexibility and potentially lower fuel costs to the owner.
- Smart battery charger
Delivers charge to the battery only when needed at varying rates depending on outdoor air temperature. Compatible with lead acid and AGM-style batteries.
- Main line circuit breaker
Protects generator from overload.
- Electronic governor
Maintains constant 50 Hz frequency.

Unit

- SAE weather protective enclosure
Sound attenuated enclosures ensure quiet operation and protection against mother nature, withstanding winds up to 150 mph. Hinged key locking roof panel for security. Lift-out front for easy access to all routine maintenance items. Electrostatically applied textured epoxy paint for added durability.
- Enclosed critical grade muffler
Quiet, critical grade muffler is mounted inside the unit to prevent injuries.
- Small, compact, attractive
Makes for an easy, eye appealing installation, as close as 18" away from a building.

Installation System

- 1 ft (305 mm) flexible fuel line connector
Absorbs any generator vibration when connected to rigid pipe.
- Direct-to-dirt composite mounting pad
Complex lattice design prevents settling or sinking of the generator system.
- Integral sediment trap
Prevents particles and moisture from entering the fuel regulator and engine, prolonging engine life.

Remote Monitoring ‡

- Ability to view generator status
Monitor the generator via a smartphone, tablet, or computer at any time via the Mobile Link application for complete peace of mind
- Ability to view generator Exercise/Run and Total Hours
Review the generator's complete protection profile for exercise hours and total hours
- Ability to view generator maintenance information
Provides maintenance information for your specific model generator when scheduled maintenance is due
- Monthly report with previous month's activity.
Detailed monthly reports provide historical generator information
- Ability to view generator battery information
Built in battery diagnostics displaying current state of the battery
- Weather information
Provides detailed local ambient weather conditions for generator location

‡ Where supported

8/10/13 kVA

Generator

Model	BP8S-G (8 kVA)	BP10S-G (10 kVA)	BP13S-G (13 kVA)
Rated Maximum Power Capacity—LP (ESP)	8,000 VA*	10,000 VA*	13,000 VA*
Rated Maximum Power Capacity—NG (ESP)	7,000 VA*	10,000 VA*	13,000 VA*
Rated Voltage	220	220	220
Rated Maximum Continuous Load Current – 220 Volts (LP/NG)	36.4/31.8	45.5/45.5	59.1/59.1
Main Line Circuit Breaker	40 Amp	50 Amp	63 Amp
Phase	1	1	1
Number of Rotor Poles	2	2	2
Rated AC Frequency	50 Hz	50 Hz	50 Hz
Power Factor	1.0	1.0	1.0
Battery Requirement (not included)	12 Volts, Group 26R 540 CCA Minimum or Group 35 AGM 650 CCA Minimum		
Unit Weight (kg/lb)	155/341	176/389	193/425
Dimensions (L x W x H) mm/in	1232 x 648 x 733 / 48 x 25 x 29		
Sound output in dB(A) at 7m (23 ft) with generator operating at normal load**	62	63	63
Sound output in dB(A) at 7m (23 ft) with generator in Quiet-Test™ low-speed exercise mode**	54	54	54
Exercise duration	5 min	5 min	5 min

Engine

Type of Engine	GENERAC G-FORCE 500 SERIES	GENERAC G-FORCE 1000 SERIES	GENERAC G-FORCE 1000 SERIES
Number of Cylinders	2	2	2
Displacement	530 cc	999 cc	999 cc
Cylinder Block	Aluminum w/ Cast Iron Sleeve		
Valve Arrangement	Overhead Valve	Overhead Valve	Overhead Valve
Ignition System	Solid-state w/ Magneto	Solid-state w/ Magneto	Solid-state w/ Magneto
Governor System	Electronic	Electronic	Electronic
Compression Ratio	9.5:1	9.5:1	9.5:1
Starter	12 VDC	12 VDC	12 VDC
Oil Capacity Including Filter	1.6 L / 1.7 qt	1.8 L / 1.9 qt	1.8 L / 1.9 qt
Operating rpm	3,000	3,000	3,000
Fuel Consumption			
Natural Gas	m ³ /hr (ft ³ /hr)		
	1/2 Load	3.51 (124)	4.02 (142)
	Full Load	5.30 (187)	6.48 (229)
Liquid Propane	l/hr (gal/hr) [m ³ /h LPG]		
	1/2 Load	4.79 (1.26) [1.30]	5.58 (1.47) [1.52]
	Full Load	6.16 (1.63) [1.68]	8.86 (2.34) [2.41]

Note: **Fuel pipe must be sized for full load.** Required fuel pressure to generator fuel inlet at all load ranges—1.74–3.24 kPa (3.5–7.0 in. water column) for natural gas, 4.73–5.48 kPa (10–12 in. water column) for LP gas.

Outputs are based upon values @ 1000 BTU per cubic feet with NG and 2500 BTU per cubic feet with LP @ 37.26 Megajoules per cubic meter with NG and 93.15 Megajoules per cubic meter with LP

Controls

2-Line Plain Text Multilingual LCD Display	Simple user interface for ease of operation.
Mode Buttons:Auto	Automatic Start on Utility failure. 7 day exerciser.
Manual	Start with starter control, unit stays on. If utility fails, transfer to load takes place.
Off	Stops unit. Power is removed. Control and charger still operate.
Ready to Run/Maintenance Messages	Standard
Engine Run Hours Indication	Standard
Programmable start delay between 2-1500 seconds	Standard (programmable by dealer only)
Utility Voltage Loss/Return to Utility Adjustable (Brownout Setting)	From 140-156 V/175-198 V
Future Set Capable Exerciser/Exercise Set Error Warning	Standard
Run/Alarm/Maintenance Logs	50 Events Each
Engine Start Sequence	Cyclic cranking: 16 sec on, 7 rest (90 sec maximum duration).
Starter Lock-out	Starter cannot re-engage until 5 sec after engine has stopped.
Smart Battery Charger	Standard
Charger Fault/Missing AC Warning	Standard
Low Battery/Battery Problem Protection and Battery Condition Indication	Standard
Automatic Voltage Regulation with Over and Under Voltage Protection	Standard
Under-Frequency/Overload/Stepper Overcurrent Protection	Standard
Safety Fused/Fuse Problem Protection	Standard
Automatic Low Oil Pressure/High Oil Temperature Shutdown	Standard
Overcrank/Overspeed (@ 72 Hz)/rpm Sense Loss Shutdown	Standard
High Engine Temperature Shutdown	Standard
Internal Fault/Incorrect Wiring Protection	Standard
Common External Fault Capability	Standard
Field Upgradable Firmware	Standard

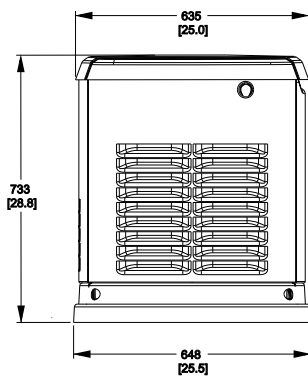
**Sound levels are taken from the front of the generator. Sound levels taken from other sides of the generator may be higher depending on installation parameters. Rating definitions - Standby: Applicable for supplying emergency power for the duration of the utility power outage. No overload capability is available for this rating. (All ratings in accordance with BS5514, ISO3046 and DIN6271). * Maximum kilovolt amps and current are subject to and limited by such factors as fuel Btu/megajoule content, ambient temperature, altitude, engine power and condition, etc. Maximum power decreases about 3.5 percent for each 1,000 feet (304.8 meters) above sea level; and also will decrease about 1 percent for each 6 °C (10 °F) above 16 °C (60 °F).

8/10/13 kVA

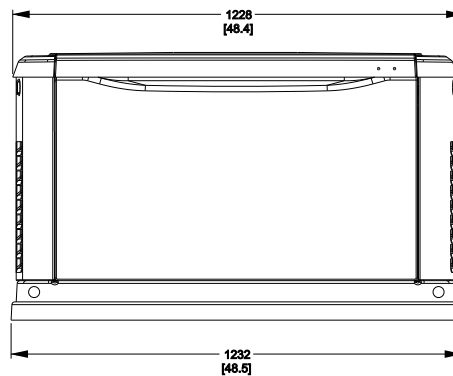
Model #	Product	Description
ATS-G-100	100A ATS Switch	Generac 100A Automatic Transfer switch in separate box.
BUND-S-C	Baffle	Silencer baffle fitted to the end of the generator to reduce noise levels.

dimensions & UPCs

Dimensions shown are approximate. Refer to installation manual for exact dimensions. DO NOT USE THESE DIMENSIONS FOR INSTALLATION PURPOSES.



LEFT SIDE VIEW



FRONT VIEW

Model	UPC
G007144-0	696471073270
G007145-0	696471073287
G007146-0	696471073294