

EasySolar 3 kVA & 5 kVA with Color Control panel

The all-in-one solar power solution



EasySolar 3 kVA

The all-in-one solar power solution

The EasySolar combines a MPPT solar charge controller, an inverter/charger and AC distribution in one enclosure.

The product is easy to install, with a minimum of wiring.

Color Control panel

Two outstanding functions:

- Prioritizes battery charging by the MPPT charge controller
- Connects to the internet, enabling remote monitoring (VRM website) and remote control.

AC distribution

The AC distribution consists of a RCD (30 mA / 63 A) and four AC outputs protected by two 10 A and two 16 A circuit breakers.

An additional 16 A output is controlled by the AC input: it will switch on only when AC is available.

PowerAssist

Unique PowerAssist technology protects the utility or generator supply from being overloaded by adding extra inverter power when needed.

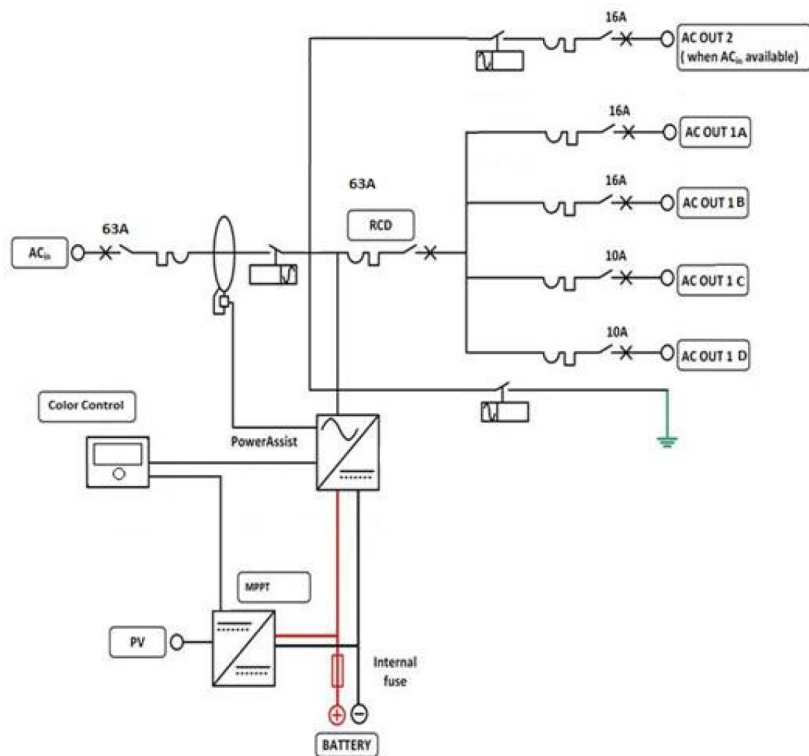
Unique solar application software

Several software programs (Assistants) are available to configure the system for various grid interactive or stand-alone applications. Please see

<http://www.victronenergy.nl/support-and-downloads/software/>



EasySolar 5 kVA



EasySolar	EasySolar 24/3000/70-50 MPPT150/70	EasySolar 48/3000/35-50 MPPT150/70	EasySolar 48/5000/70-100 MPPT150/100
INVERTER/CHARGER			
Transfer switch	50A	50A	100A
INVERTER			
Input voltage range	19 – 33V	19 – 33V	38 – 66V
'Heavy duty' output AC 2	16 A		
Output AC 1a, 1b, 1c, 1d	Output voltage: 230 VAC ± 2% Frequency: 50 Hz ± 0,1% (1)		
Cont. output power at 25°C (3)	3000 VA / 2400 W	3000 VA / 2400 W	5000 VA / 4000 W
Cont. output power at 40°C	2200 W	2200 W	3700 W
Cont. output power at 65°C	1700 W	1700 W	3000 W
Peak power	6000 W	6000 W	10000 W
Maximum efficiency	94%	95%	95%
Zero load power	20 W	25 W	35 W
Zero load power in search mode	10 W	12 W	15 W
CHARGER			
AC Input	Input voltage range: 187-265 VAC Input frequency: 45 – 65 Hz Power factor: 1		
Charge voltage 'absorption'	28,8 V	57,6 V	57,6 V
Charge voltage 'float'	27,6 V	55,2 V	55,2 V
Storage mode	26,4 V	52,8 V	52,8 V
Charge current	70 A	35 A	70 A
Battery temperature sensor	yes		
Programmable relay (5)	yes		
Protection (2)	a - g		
SOLAR CHARGE CONTROLLER			
Model	MPPT 150/70-MC4	MPPT 150/70-MC4	MPPT 150/100-MC4
Maximum output current (4)	70 A	70 A	100 A
Maximum PV power	2000 W	4000 W	5800 W
Maximum PV open circuit voltage	150 V		
Maximum efficiency	98%		
Self-consumption	10 mA		
Charge voltage 'absorption', default setting	28,8V	57,6 V	57,6 V
Charge voltage 'float', default setting	27,6V	55,2 V	55,2 V
Charge algorithm	multi-stage adaptive		
Temperature compensation	-16 mV / °C	-32 mV / °C	-64 mV / °C
Protection	a - g		
COMMON CHARACTERISTICS			
Operating temp. range	-40 to +65°C (fan assisted cooling)		
Humidity (non-condensing):	max 95%		
ENCLOSURE			
Material & Colour	aluminium (blue RAL 5012)		
Protection category	IP 21		
Battery-connection	Four M8 bolts (2 plus and 2 minus connections)		
PV connection	Two sets of MC4 PV connectors.	Three sets of MC4 PV connectors	
230 V AC-connection	Screw terminals 13 mm ² (6 AWG)		
Weight	28 kg	28 kg	48 kg
Dimensions (hwxwd)	810 x 258 x 218	810 x 258 x 218	877 x 328 x 241
STANDARDS			
Safety	EN 60335-1, EN 60335-2-29, EN 62109-1		
Emission / Immunity	EN 55014-1, EN 55014-2, EN 61000-3-3, EN 61000-6-3, EN 61000-6-2, EN 61000-6-1		
Anti-islanding	See our website		
1) Can be adjusted to 60Hz and to 240V 2) Protection: a. Output short circuit b. Overload c. Battery voltage too high d. Battery voltage too low e. Temperature too high f. 230 VAC on inverter output g. Input voltage ripple too high	3) Non-linear load, crest factor 3:1 4) At 25°C ambient 5) Programmable relay which can be set for general alarm, DC under voltage or genset start signal function		