



HD24-DP

12v Deep Cycle Battery

BCI Group No.	24 Marine
Reserve Capacity @ 25 amps	100 minutes
Approximate Ampere-Hour	64Ah @ 20Hrs.
Warranty Months	12 months
Dimensions	L 11" x W 6-7/8" x H 9-1/2"
Terminal Type:	SAE Post, 5/16" Stud
Weight:	Approx. 41
Construction	Flat plate, liquid lead acid
Case Material	Polypropylene
Grid Construction	Positive – lead, Antimony Negative – lead, Antimony
Case/Cover color	White Case / Green Cover
SAE compliant Polypropylene Handle	
Specific Gravity – 1.265	

CHARGING RECOMMENDATIONS

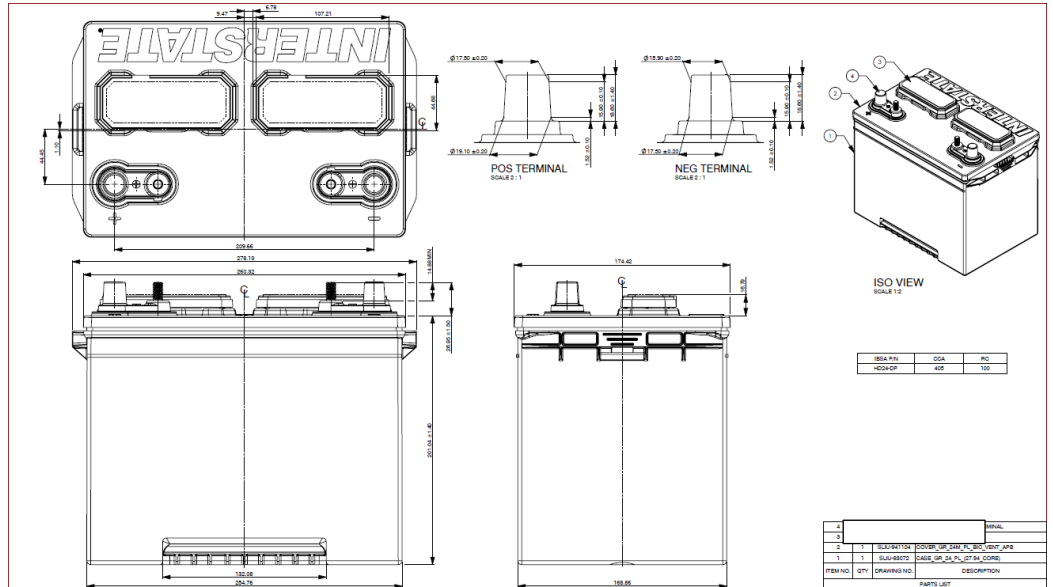
Charging State	Current	Voltage Regulation			
		Volts per Cell	12v	24v	48v
Bulk	13% of 20hr Ah rating	2.60	15.60	31.02	62.40
Absorption	Taper to 4% of 20hr Ah rating and hold for 2-3 hours	2.60	15.60	31.02	62.40
Float		2.25	13.5	27.00	54.00
Equalization	Total time = 2 hrs.	2.67	16.00	32.00	64.00





HD24-DP

12v Deep Cycle Battery



+

INTERSTATEBATTERIES.COM