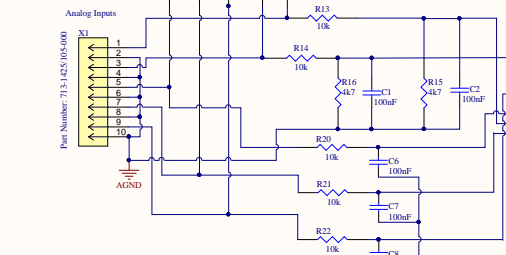
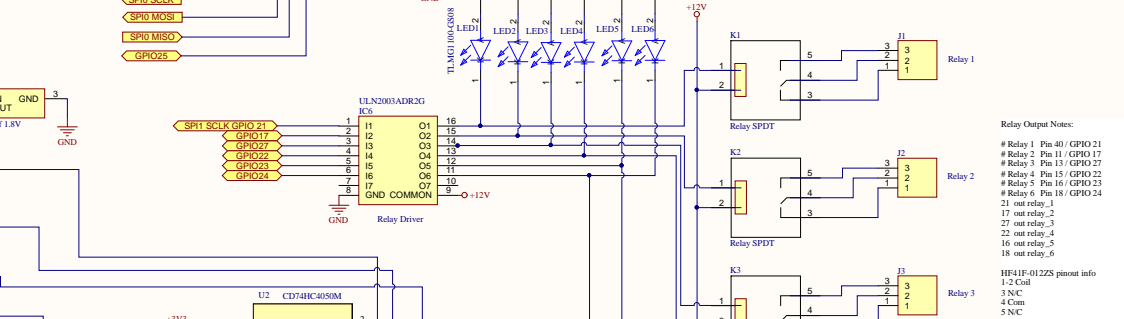
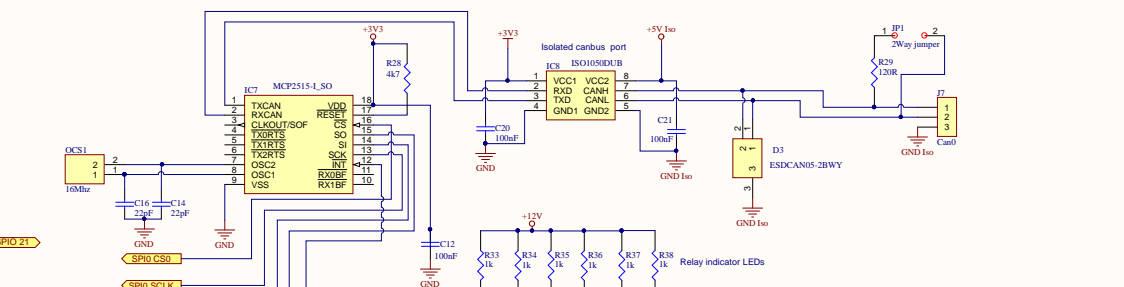
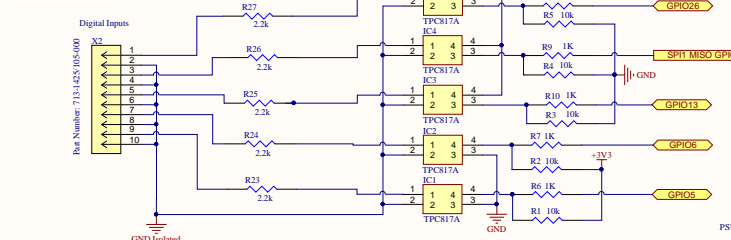


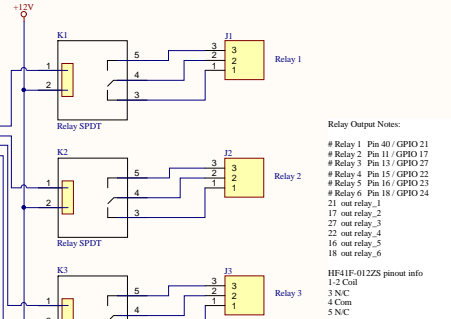
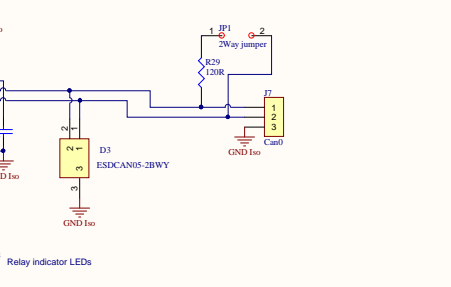
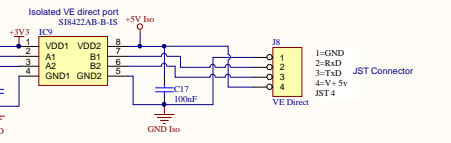
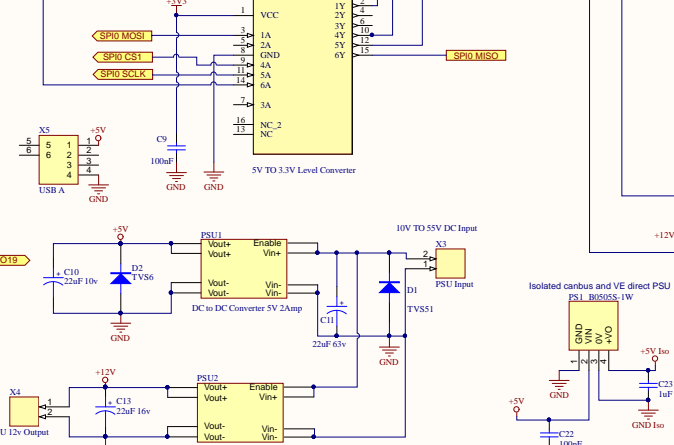
Temp sensor L335 Positive to pin 1, Negative to pin 2. Adj pin not used.
 XI Pin Out:
 Temp1 Pin 1-2
 Temp2 Pin 3-4
 Tank1 Pin 5-6
 Tank2 Pin 7-8
 Tank3 Pin 9-10



Digital Inputs are Isolated
 1 = 5 GPIO 5 Hi
 2 = 4 GPIO 6 Hi
 3 = 3 GPIO 13 Low
 4 = 2 GPIO 19 Low
 5 = 1 GPIO 26 Low
 X2 Pin Out:
 DI 5 Pin 1-2
 DI 4 Pin 3-4
 DI 3 Pin 5-6
 DI 2 Pin 7-8
 DI 1 Pin 9-10



Relay Output Notes:
 # Relay 1 Pin 40 / GPIO 21
 # Relay 2 Pin 11 / GPIO 17
 # Relay 3 Pin 13 / GPIO 27
 # Relay 4 Pin 15 / GPIO 22
 # Relay 5 Pin 16 / GPIO 23
 # Relay 6 Pin 18 / GPIO 24
 21 out relay_1
 17 out relay_2
 27 out relay_3
 22 out relay_4
 16 out relay_5
 18 out relay_6
 H211P-01Z25 pinout info
 1-2 Coil
 3 N.C.
 4 Com
 5 N.C.
 Relay 5&6 are only a 12v control signal to control an external relay coil.



BOARD STACK REPORT